



# System Shelfplan

STORAGE PRODUCTS



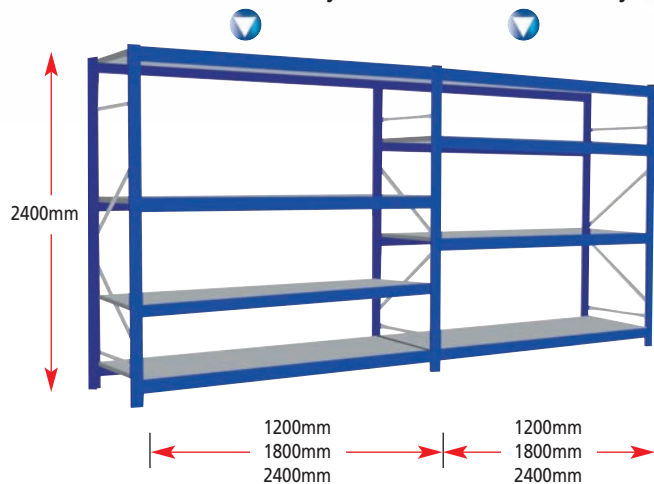
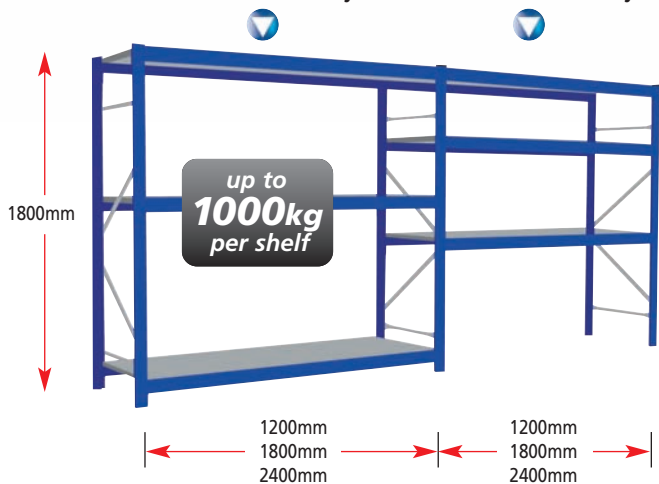
## System Shelfplan

3-Beam Starter Bay

3-Beam Extension Bay

4-Beam Starter Bay

4-Beam Extension Bay



### 1800mm High Bays - 3 Beam Levels with Galvatite Shelf Panels

OVERALL DIMENSIONS H x W x D (mm)	LOAD CAPACITY PER SHELF LEVEL (kg)	STARTER BAY		EXTENSION BAY		EXTRA LEVELS	
		ORDER REF	PRICE	ORDER REF	PRICE	ORDER REF	PRICE
1800 x 1200 x 622	820	SP-SB-001	£347.00	SP-EB-001	£294.00	SP-078	£81.00
1800 x 1800 x 622	1000	SP-SB-002	£440.00	SP-EB-002	£387.00	SP-079	£112.00
1800 x 2400 x 622	600	SP-SB-003	£536.00	SP-EB-003	£483.00	SP-080	£144.00
1800 x 1200 x 774	780	SP-SB-004	£371.00	SP-EB-004	£318.00	SP-081	£88.00
1800 x 1800 x 774	1000	SP-SB-005	£476.00	SP-EB-005	£423.00	SP-082	£123.00
1800 x 2400 x 774	600	SP-SB-006	£584.00	SP-EB-006	£531.00	SP-083	£159.00
1800 x 1200 x 926	680	SP-SB-007	£397.00	SP-EB-007	£343.00	SP-084	£96.00
1800 x 1800 x 926	1000	SP-SB-008	£514.00	SP-EB-008	£460.00	SP-085	£135.00
1800 x 2400 x 926	600	SP-SB-009	£634.00	SP-EB-009	£580.00	SP-086	£175.00