

Manual & Electric Stackers

- ✓ Robust and stable design, with excellent handling characteristics
- ✓ Small turning circle and low unladen weight
- ✓ Ideal for lifting and transporting

★ NEW ★
RANGE

RAPID
DELIVERY



LF
MANUAL
VERSION

- Lift capacities up to 1000kg • Lift heights to 3300mm
- Manual, semi-powered, fully-powered and air options available
- Ergonomic handle design • Instant stop when lowering
 - Standard fork width 560mm, length 1150mm
- Supplied with fixed, wrapover forks - straddle available
- Options include adjustable forks, stainless steel construction
 - Compact overall size means easy manoeuvrability

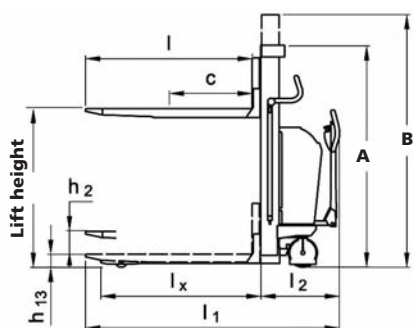
LF Range

- Two lifting speeds, normal and quick lift
- Infinitely adjustable lowering speed
- Pneumatic version can be connected to an airline for raising and lowering of forks

ELF Range

- Stepless acceleration and braking
- Supplied with battery and internal charger
- Automatic brake activated by steering arm
- Safety switch automatically reverses drive should the operator become trapped against an obstruction
- Smooth, quiet operation

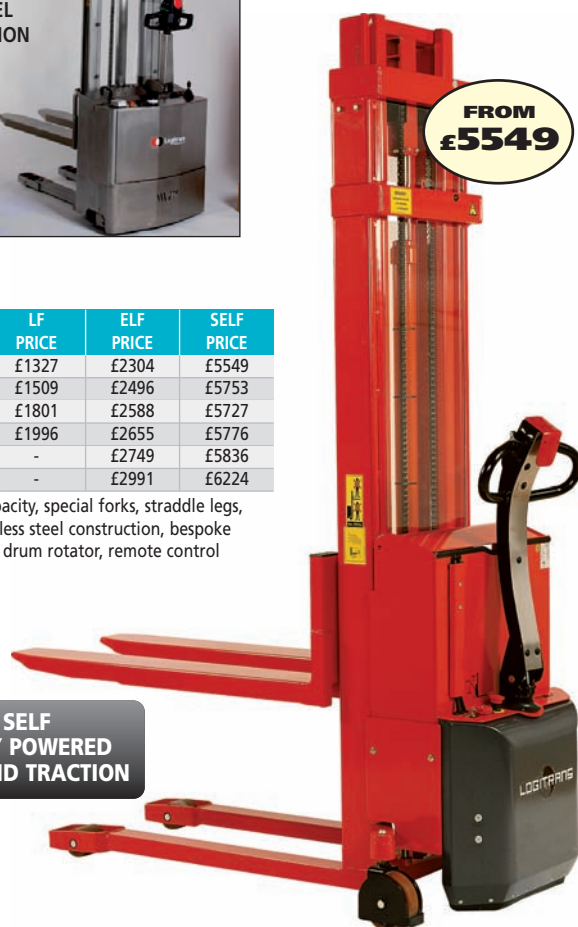
ELF
POWERED LIFT



LIFT HEIGHT (mm)	A	B	LF PRICE	ELF PRICE	SELF PRICE
1600	1930	1930	£1327	£2304	£5549
1910	2240	2240	£1509	£2496	£5753
2050	1530	2490	£1801	£2588	£5727
2450	1730	2890	£1996	£2655	£5776
2850	1930	3290	-	£2749	£5836
3300	2240	3740	-	£2991	£6224

Options include other lift heights, 1200kg capacity, special forks, straddle legs, weighing device, heavy duty batteries, stainless steel construction, bespoke design, side tilting forks, crane arm, spear, drum rotator, remote control

FROM
£5549



SELF
FULLY POWERED
LIFT AND TRACTION



TECHNICAL SPECIFICATION	
FORK LENGTHS	600, 800, 1150 and 1520mm
LIFT CAPACITY	Up to 1000kg @ 600mm load centres
LIFT HEIGHT	Up to 3300mm
TURNING ANGLE	SELF 210°, ELF 180°
GANGWAY	Factory fitted tests show a very compact aisle width of 1700mm
MOTOR	B1.1kW 12V (ELF/ELFS) 1.2kW 24V (SELF/SELFS)