

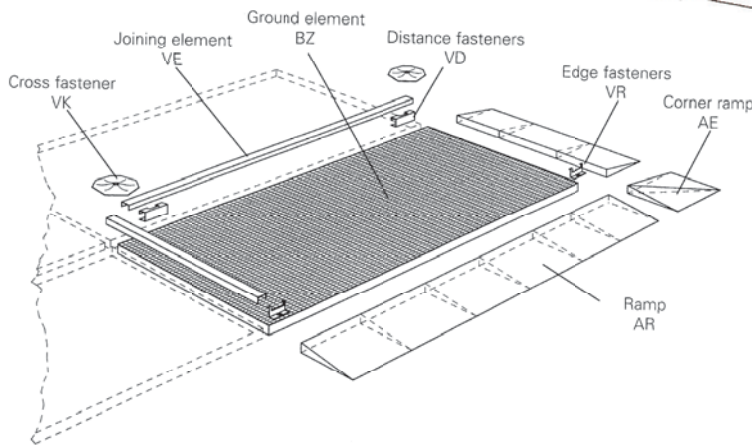
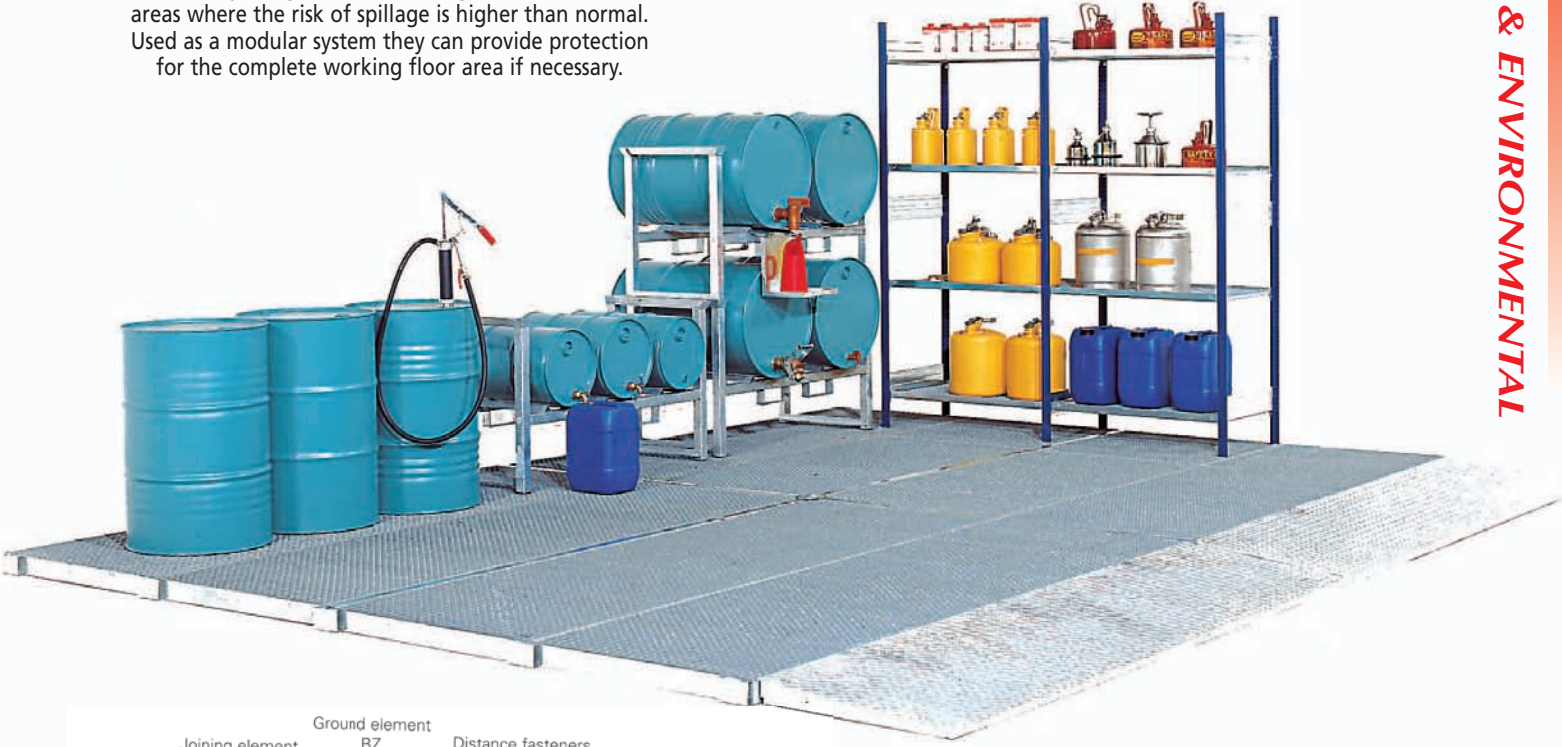


SAFETY & ENVIRONMENTAL

For the storage of potential water pollutants and flammable liquids where stringent safety regulations apply. Environmental protection is also demanded when dispensing, refilling or transportation of such substances.

This range of decking is available with a point load of 450kg, or 2000kg to accommodate fork lift truck traffic.

Specifically designed for decanting and fluid transfer areas where the risk of spillage is higher than normal. Used as a modular system they can provide protection for the complete working floor area if necessary.



Ensure your storage area or workshop is properly ventilated at all times

RAPID DELIVERY

Spill Decking

TYPE	DIMENSIONS W x D x H (mm)	CAPACITY (ltr)	LOAD (kg/sqm)	450kg MAX WHEEL LOAD		2000KG MAX WHEEL LOAD	
				REF	PRICE	REF	PRICE
BZ 14.14	78 x 1370 x 1370	80	5000	115-128	£351.00	120-233	£375.00
BZ 19.14	78 x 1870 x 1370	110	5000	115-130	£466.00	120-234	£527.00
BZ 29.14	78 x 2870 x 1370	170	5000	115-132	£641.00	120-235	£835.00
BZ 29.19	78 x 2870 x 1870	225	5000	115-134	£964.00	120-236	£1317.00

Joining Elements

TYPE	DIMENSIONS W x D (mm)	ORDER REF	PRICE
VE 14-Z	45 x 1320	115-158	£5.90
VE 19-Z	45 x 1820	115-159	£10.40
VE 29-Z	45 x 2820	115-160	£9.30

Side Ramps

TYPE	DIMENSIONS W x D (mm)	ORDER REF	PRICE
AR 14-Z	1320 x 720	115-164	£268.00
AR 19-Z	1820 x 720	115-165	£362.00
AR 29-Z	2820 x 720	115-166	£450.00

Accessories*

TYPE	DIMENSIONS W x D (mm)	ORDER REF	PRICE
DISTANCE FASTENER	25 x 120	115-169	£5.30
EDGE FASTENER	20 x 100	115-170	£5.00
CROSS JOINER	130 x 130	115-167	£8.20
CORNER RAMP	730 x 730	115-171	£151.00

*DELIVERED FREE ONLY WHEN ORDERING DECKING

